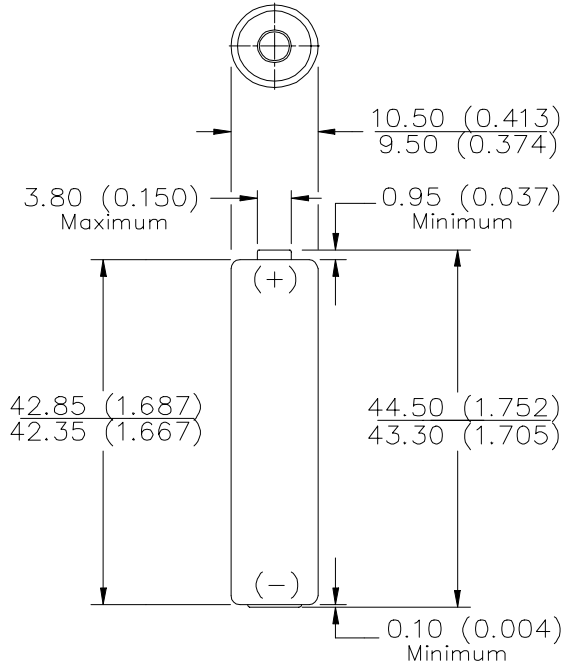


ENERGIZER NO. L92



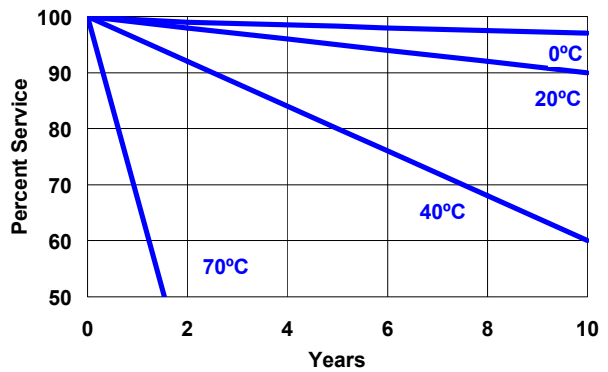
Industrial Standard Dimensions in mm (inches)



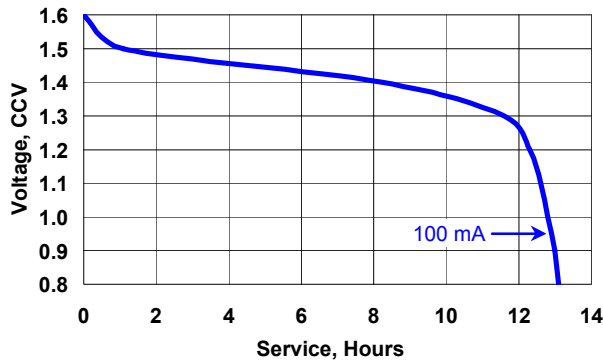
AAA

Chemical System:	Lithium Lithium/Iron Disulfide (Li/FeS ₂)
Designation:	ANSI / NEDA-24LF, IEC-FR03
Battery Voltage:	1.5 Volts
Average Weight:	7.8 grams (0.3 oz.)
Volume:	3.8 cubic centimeters (0.2 cubic inch)
Storage Temp:	-40°C to 60°C (-40°F to 140°F)
Operating Temp:	-40°C to 60°C (-40°F to 140°F)
Lithium Content:	Approximately 0.5 grams per cell
Jacket:	Non-magnetic Plastic Label
Transportation:	Meets requirements of 49CFR 173.185 (b) and IATA special provisions A45.
Shelf Life:	15 years

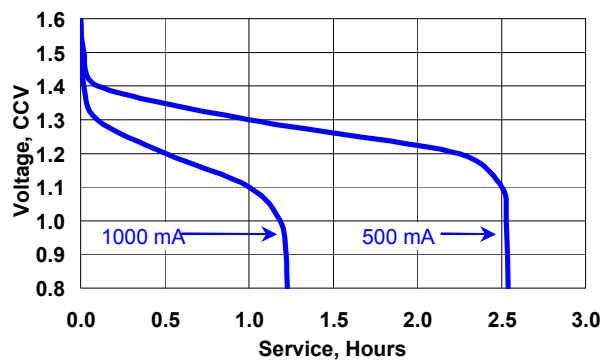
Typical Temperature Effects on Batteries
Typical Percent Service Maintenance



CONSTANT CURRENT DISCHARGE
100 mA Continuous Drain



CONSTANT CURRENT DISCHARGE
500 and 1000 mA Continuous Drain



ENERGIZER NO. L92 AAA LITHIUM - ALKALINE PERFORMANCE COMPARISON

